

.

.

.

.

.

100204TK

2015-07-17

13310983367

			11840
	710021		http://www.xiyi.edu.cn/
	<input type="checkbox"/>	<input checked="" type="checkbox"/>	<input checked="" type="checkbox"/> <input type="checkbox"/> <input type="checkbox"/>
	<input type="checkbox"/>	<input checked="" type="checkbox"/>	<input type="checkbox"/> 985 <input type="checkbox"/> 211
	12		3249
	2104		1
	<input type="checkbox"/>	<input type="checkbox"/>	<input type="checkbox"/> <input type="checkbox"/> <input checked="" type="checkbox"/> <input type="checkbox"/>
	<input type="checkbox"/>	<input type="checkbox"/>	<input type="checkbox"/> <input checked="" type="checkbox"/> <input checked="" type="checkbox"/> <input type="checkbox"/>
	<input type="radio"/>	<input type="radio"/>	<input type="radio"/> <input type="radio"/> <input checked="" type="radio"/> <input type="radio"/>
	<input type="radio"/>	<input type="radio"/>	<input type="radio"/> <input type="radio"/> <input type="radio"/> <input type="radio"/>
	750		428
			1951 01
	2006		
	<input type="radio"/>	<input type="radio"/>	<input checked="" type="radio"/>
	<input type="radio"/>	<input checked="" type="radio"/>	<input type="radio"/> <input checked="" type="radio"/>
	2006 2	1951 1994	79.3
	44.5	9.94	46 5
	18		
	12		6
	12		750
		428	

.

1951
 1994
 2006 2
 50
 2008 2013
 " "
 () :
 428 750 492 65.2%
 " " 3 "
 1 " 1 " 30
 1 " 1 " 24
 7 29.2% 5 12 50.0%
 33.3% 24 12 100% 4 20.8% 16.7% 8
 20 10
 :
 5 20 3
 9 5 1 60 3
 2 70 2 2
 () 2 4
 1 8373.35
 9 455
 181 6

	<p>" " "</p> <p>" " "</p> <p>37.41 60</p> <p>"</p> <p>"</p> <p>YAG 532 ZEISS OCT Spectralis Multi-Modality OCT</p> <p>ICL-master Constellation / Infiniti Zeiss</p> <p>()</p> <p>46 5 18</p> <p>12</p> <p>319 2003 9 210 42 16 2731 850 5</p> <p>80% 150 1450 30 180</p> <p>3 1 3.2 8 1 106.76 275.48 4000</p> <p>8 60</p> <p>1.1 1.275</p> <p>Optometry " Doctor of "</p> <p>1000 3.3</p> <p>OPTICIAN () " BTSCL</p>
--	---

" CCPS OPTOMETRY"

ECCO

1984

20

BSE in Optometry

1985

1988

1992

2002

CD

" "

50%

35%

1%

70%

30%

WHO

1. 1

1. 275

2 1

1 10

1 10

5-15
10000

2 1

60

10 15

60

˘ ˙ ˚ ˛ ˜ ı / fi fl ł ˝ ł Ź ž ! " #

\$ % ž ! & '

() * " + , - . / ž ! 0 1 2 ı 3 4 % 5 6 7 8 9 : ; < = > ? @ A B C " ˘ ł
Ž DO 1 E F > G H " ˘ I J K L M N O P Q ° ˘ %) R " ˘ 9 G H " ˘ > S T U V 7 M
W ˘ ˘ 9 ˙ ˚ ˛ ı S T U 5 6 7 8 " X O 1 Y Z [\ , () ı ^ _ ` a b ˘ ˘ %
˙ ˚ ˛ c + d e M f W ˙ ˚ ˛ g h i j k l % m n ı o p q r s _ ` ı ˘ % ˘ i
t d e u v) R D

w % ž ! x y

z \$ { | } 3 4 U 2 ı ~ € & '

, f , ... t † M ^ % ˘ ˘ > Š < € % ł - € % ' ' € 9 " " • - — ~ € M™ š > œ M
ÿ j ł ç M € (> œ , - ` ı > ¤ ¥ 9 ł q | § " ©ª « ¬ - D

- f ® ˙ - ˘ M ° ± % h š ² ł M O 1 ł 3 • - < = ³ ´ ? - μ § μ " " " ˘ ¶ · M
˘ ˙ ˚ ˛ ¤ » > " © ¼ ½ e (¾ j > 2 ı À Á D

Â f ˘ % ˘ ˘ | ˘ Ā Ą Ä M Å T Æ Ç È É Ê > ± Ë Ì M Í Î Ï Đ Ñ Ò D

Ó P 1 Ô Õ > ł Ö × Ø % Ù Ú 7 8 o Û Ü Û e < = D

Ý f 0 1 Þ ß > 2 ı à á M 5 ` Đ â M , † 2 ı 3 4 x ã % ä µ å æ D

ç f 0 1 è é ê ë > ì € % íª d e > < = 9 % ð) * d e % ï ð ł ç > ñ T D

ò f W 2 ı ó ô õ ± ˙ ˚ ˛ + > ä µ ö ÷ M ° ± ø ù > ú û 9 ł y D

ÿ f ° ± N ` 9 ý þ , - ÿ " ˘ ı ł M 1 • - < = 9 Û Ü e ¥ , - ï ð d
e > Ą Ä D

z w { S T & '

, f P Q U ˙ ˚ ˛ " ˘ g h > ˘ % µ ˘ % ˘ % - ˘ ˘ ˘ % (˘ ˘ 9 " " ˘ ˘
t) R S T 9 ˘ ˘ " † M 7 @ j > ˘ Ā 9 " ˘ 5 6 D

- f P Q - ˘ p > ł > Þ 9 7 M Þ > § µ à t) R " ˘ S T D

Â f P Q G H ² % ¤² > ² % ¤² µ % G H a % c Í o å æ D

Ó P Q ˘ ˘ % ˙ ˚ ˛ >) Ł µ S T D

Ý f P Q U g h > ² % ¤² % 7 ì ˙ ö ÷ o \$ ± > c Í " †

9 μ å æD

çf ÿ " % B ' 8 9 ' 7 > g h μ S T D

òf " . § μ . 9 " " . t μ S T D

z { V 7 & '

,f ² % 9² d e M O W Þ ß 5 p q G H % °

μ) Ł e M o § % - μ t > 7 8 D

-f P Q G H " . % ' ° . >) Ł S T M 7 % ¢ Í 9 μ U g h > ² %

¤ ² % 7 | ' ö ÷ o \$ > ± D 7 @ . > " . § μ . 9 " " . t S T M

9 μ U ² 1 h > § μ 9 " " . ö ÷ D

Âf 0 1 ÿ " % B ' 8 9 ' 7 > S T 9 V 7 D

Óf P Q M Æ œ . I . x v > B È Ð M 7 ¼

Ł ~ | ³ P Q) Ł S T 9 V 7 D

Ýf 7 5 Ö d e È M ¥ ~ . 9 ' ~ . i j d e D

çf | § " © M Æ œ x v > . - J ' 9 € ' D

% • . ~ U g h . ~

z \$ { • . ~) R " . % G H " .

z w { g h . ~ " .

% • È

† . % . U . %- μ . %- . %² μ . % μ . % G H V 7 . %

c Í . % ~ . % ~ . % ~ . % ' ° ? @ ° . % ~ .) R % ' ° . μ 9

" ‡ % ² . % ° . % m . % m . % ' . t D

/ % • È 5 6

~ | Æ % V 7 5 %] | 5 Æ % " " 5 6 %] | | J t D O (

~ | V 7 5 , M Æ . M W ü . ³] | 5 Æ Ý z G H ~ 5

Ã -ç M ' ° g h ~ -Ó { M Ý . M W % , . ³] | | J , M ,

. M W , . D

% . fl U .

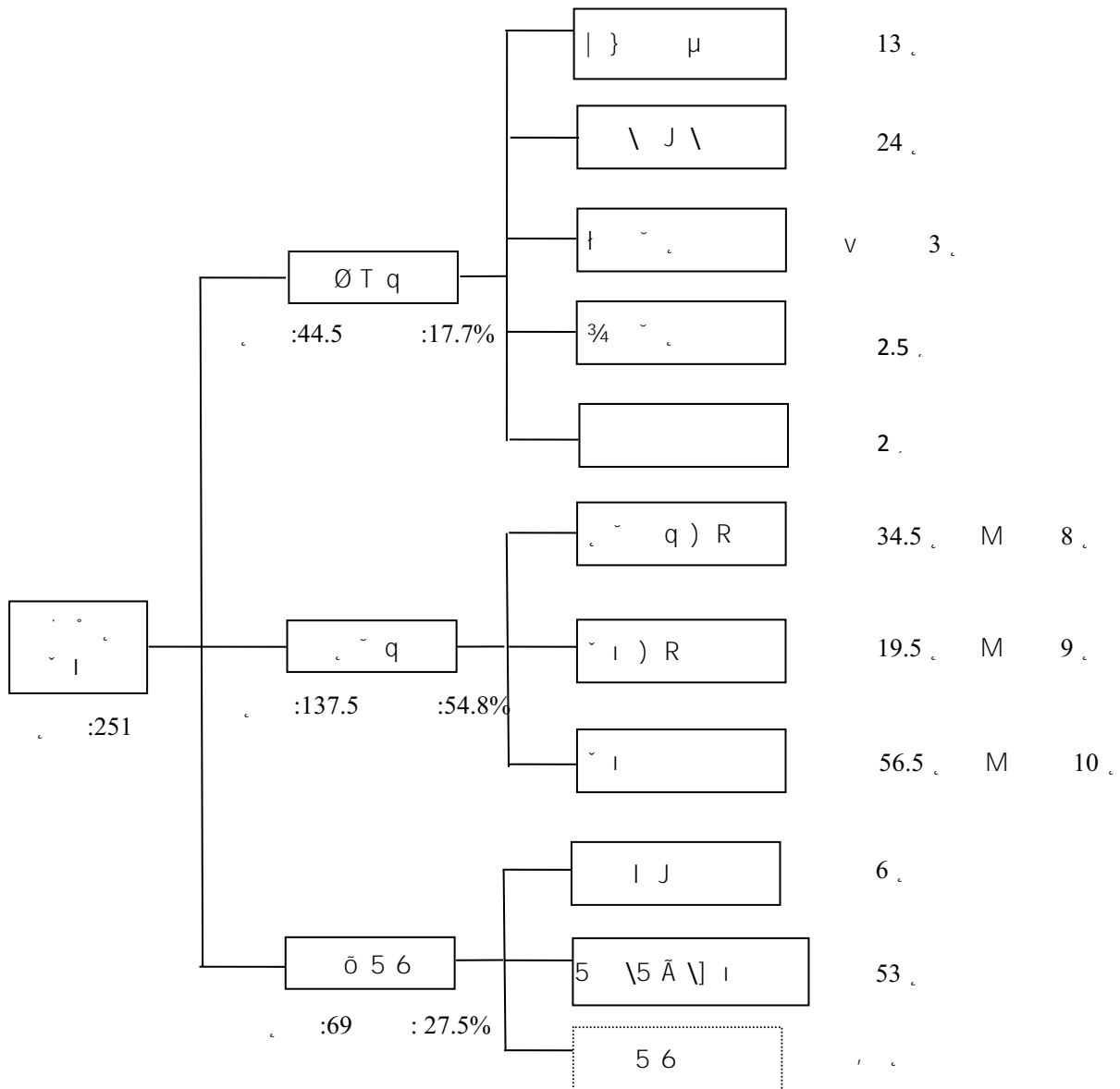
fi / fi M" . . . D

%] I

- k y ME -Ý, Mý õ ,Ý % Â-

3 õ 5 6 ç . D] I y M] I D

% .



% Y U Ě Đ

,f(ÆŁ ~ ł Ž ž ! > &' MŁ ł Ž ž ! " # v 9
q D x v > Ě Đ 9 (Ě Đ M â ě -] i O E > ě D ě -
ě z 9 9 { \$ (, ü -Ý ě D
-f " ě l ě > x ě s / \$ M ě - ě E % y
g ? ě D

Âf(' ? " " ě - ~ € I J > Ě Đ M ¥ ě - S T X M W > N O M
\$ v > M s 9 ~ i q M ž ! &' W p q
ō \$ v > ě M ě - ¾ ě > 9 š Ō Á ñ D ě x v

z , { Ø T q ō v Ā ě ³ _ r ō Á - ě ³
z - { ě ~ q ō ě ~ q) R ě ě ³ ~ i) R ü ě ³
~ i , ě D

Óf(ÿ > O E M ě - Ě Þ ß μ Ō U > h . M ě -
ě í Ě - Ā I D i " ě l J > 1 ý ¾ | x M ě -
ě s p ě > ō D

Ýf ~ i 7 8 > ž M ě - r % . > p ě o ~ ÷ " M
U p C p q > ě - ~ i ÷ M ~ i 7 8 e (ě > D
çf(ž ! ě - > " " 5 6 7 8 M Ě Đ ě - \$ v > 5 6 ó ô M Ě Đ ě
5 6 ó ô E , ě M O Ě Đ ě s g h x v D

%

							/			
		1			40	32	8	37	1	
		2			36	28	8		2	
		3		4	72	62	10			
		4			54	42	12			
		5		1	20	20	0		1	4
	\	\	6		6	120	0	120	1-4	
			7		4	84	42	42	1	
			8		14	280	218	62	1-4	
			9		1.5	30	30	0	5	
			10		1.5	30	30	0	3	3
			11	C	2.5	48	48	0	2.5	1
				2	36	36	0	2		
				44.5	850	588	262	39.5/5		
		12	B	5	102	72	30	34.5	1	
		13	B	3	52	32	20		2	
		14	C	2	36	30	6		2	
		15	B	4	72	72	0		2	
		16	B	1	24	20	4		3	
		17	B	4	70	56	14		3	
		18	A	4	82	72	10		2	
		19	B	3	54	42	12		3	
		20	B	4	72	72	0		4	
		21	A	2.5	60	60	0		4	
		22	A	2	38	0	38		4	
		23	B	2	36	30	6		8	1
			6	108	108	0				
			合 计		42.5	806	666	140	34.5/8	
		23		4	80	80	0	9.5	5	
		24		1.5	54	0	54		5	
		25		2	44	44	0		5	
		26		2	36	18	18		5	
	27	卫生法规★	1	26	26	0	1	6	卫生管理系	
		28		2.5	52	44	8	10	3	
		29		4	85	50	35		4	

								/			
		30		3.5	68	52	16		6		
				8	144	144	0	8			
		合 计		28.5	589	458	131	19.5/9			
		31		7	144	72	72	24	6		
		32		5	114	58	56		6		
		33		2	36	24	12		7		
		34		3	62	54	8		7		
		35	精神病学★	2	40	32	8		7		
		36		3	56	48	8		8		
		37		2	36	30	6		8		
		38		5.5	100	40	60	32.5	5		
		39		5.5	100	50	50		6		
		40		5	112	56	56		7		
		41		5.5	104	72	32		7		
		42		6	116	84	32		8		
		43		2.5	54	54	0		7		
		44		2.5	56	36	20		8		
		45		3	52	40	12	6	8		
		46		2	36	36	0		7		
		47		1	18	18	0		8		
				4	72	72	0	4			
		合 计		66.5	1308	876	432	56.5/10			
		课内学分和学时		182	3553	2588	965	150/32			
				1	1			6			
				2	2						
				1	1						
				0.5	10						
				0.5	10						
				1	1						
				3	40			52			
				50	50						
				10				10			
		合 计		69				69			
		总 计		总学分 251 学分，必修 219 学分，选修 32 学分							

1		2	36	7	
2		1	18	8	
3		3	52	8	
4		1.5	30	5	
5		1.5	30	3	
6		1	26	5	
7		2	36	1	
8		2	40	7	
9		2	36	5	
10		1	18	6	
11		1	26	8	
12	-	1.5	34	7	
13		1	20	5	
14		1	20	10	
15		1	20	5	
16		1	28	7	
17		1	18	10	
18		1.5	30	5	
19		1	20	4	
20		1	18	4	
21		0.5	8	7	
22		1	12	7	
23		0.5	6	6	
24		0.5	8	6	
		30.5	590		

\$ %

	3	40	3/2			2	36	2
	1.5	30	2			1.5	30	2
	3.5	64	4			3.5	72	4
	4	84	4/5		B	3	52	4/
	2.5	48	3		C	2	36	2
	0.5	10	1/		B	4	72	2/6
B	5	102	5					

		4	80	5			3.5	68	3
		1.5	54	3			7	144	8
		2	44	3/2			5	114	7/6
		2	36	2					
		5.5	100	4/5			5.5	100	4/5
		15	314	17			21	426	22

	(8	8	4			10	24	10
	4		2)			4		

1. " " 8 4 " " 6

2 12 6

2. 25% 25%

25% 25%

普通高等学校增设本科专业基本情况表

									/
		54							
		59							
		58							
		52							
		55							
		52							
		57							
		46							
		48							
		44							
		42							
		48							
		36							
		42							
		58							
		38							
		38							
		65							
		77							
		38							
		33							
		41							
		43							
		41							
		43							
		42							
		43							
		54							

		31							
		28							
		28							
		28							
		27							
		51							
		38							
		40							
		52							

	102	6	1
	72	4	2
	72	4	4
	84	5	1
	52	3	3
	68	4	6
	70	4	3
	80	5	5
	85	5	4
	100	6	5
	144	7	6
	114	6	6
	112	6	7
	100	6	6
	104	6	7
	18	2	8
	54	3	8
	56	3	8
	52	3	8
	116	6	8
	62	4	7
	56	3	8

		2009-6					
		PEDF PEDF					
	0				43		
	266				16		

		1962-07					

	TRPV1		
		HSV1	HSK

	0		121
	144		10

.

.

.

.

.

	2007-07						
	TRPV1						
	0						92
	206						15

.

		2013-7					
		()					
	0				5		
	162				8		

.

.

.

.

.

.

		2013-8					
		TRP1					
	3				4		

	546		32
--	-----	--	----

()	29		12		181 /
		455			

		TOPCON VT-10	7	2007 3 9
		TOPCON RM 8800	2	2007 3 9
		SL-1E	8	2007 3 9
		CL-100	4	2007 3 9
		YZ-38	6	2007 3 9
		ALE-300DX	6	2007 3 9
		YZ-23B	10	2007 3 9
			30	2007 3 9
			2	2013 9 7
		medmont	2	2013 9 7